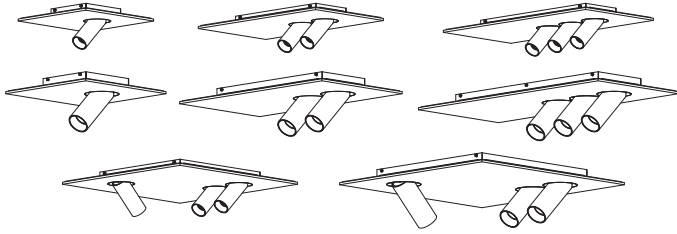


Tektus Surface Mounted Rectangle/Square

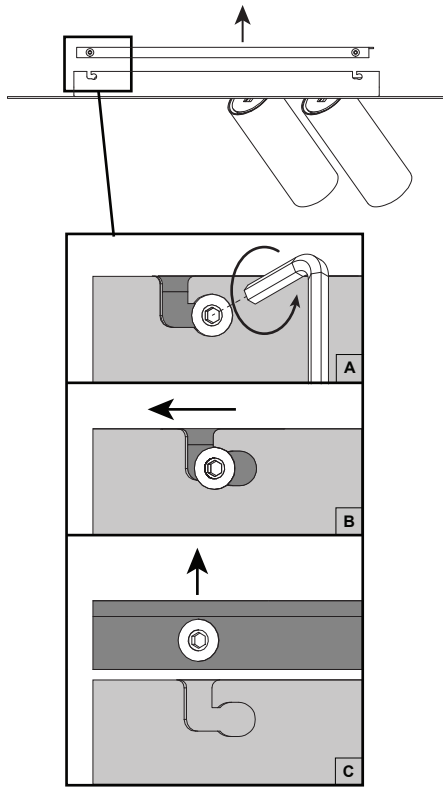


- Instructions:**
1. Remove base plate by loosening side screws and sliding the base plate out of the L-shaped slot.
 2. Pull power cable through the base plate.
Fix base plate to ceiling using screw.
Make sure to use the correct screws, plugs, etc. required for the specific ceiling type.
 3. Connect wiring to terminal block located on the base plate.
 4. Mount housing back to base plate (repeat steps 1A-1B-1C in reverse order).
Make sure wiring and safety cable does not get caught between base plate and housing.

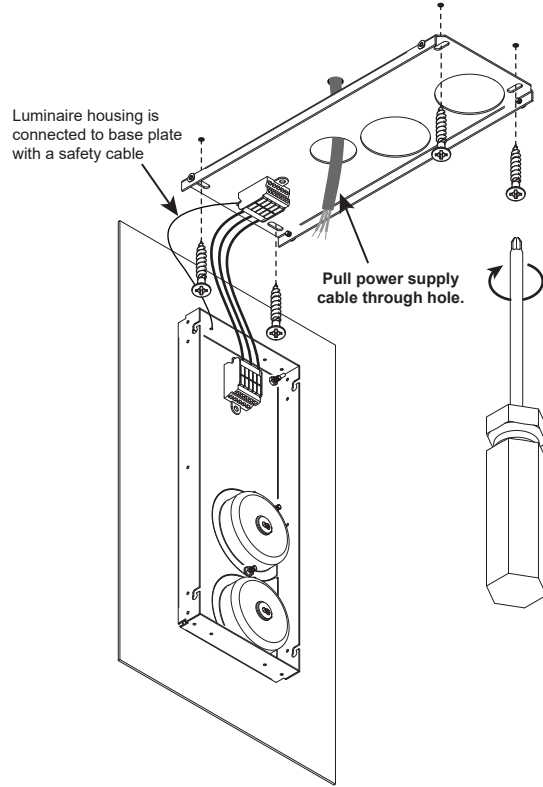
Forward voltages and nominal drive currents are mentioned on the label supplied with the product or can be found in the technical datasheet of the product.

Always use the correct driver.
Always install the driver according to the wiring schematics supplied with the driver.
Always check if multi-current drivers are set to the correct output current.

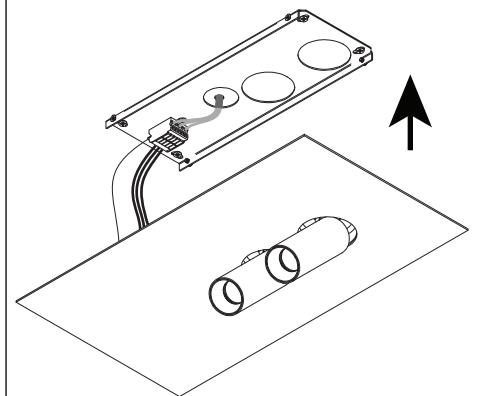
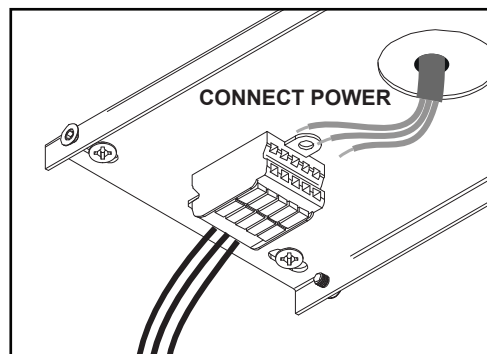
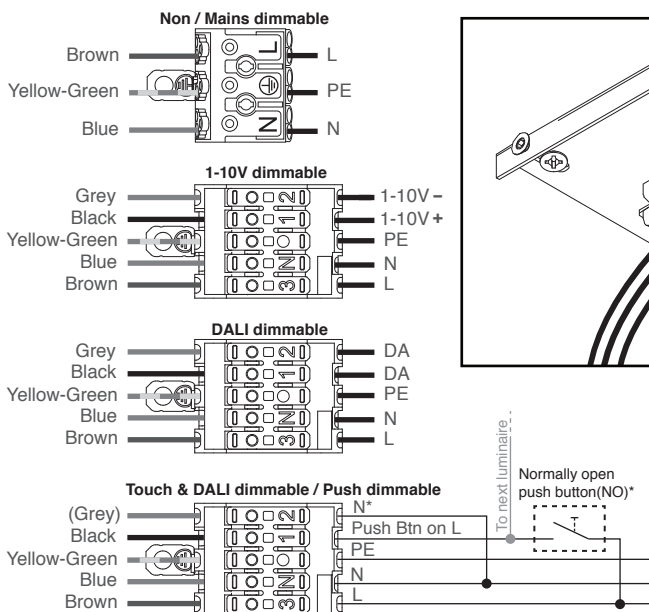
Doxis Lighting Factory cannot be held responsible for damage caused by using the wrong driver.



1



2



3

4

⚠ Attention!!

Always follow the instructions described in this document and store this document for future reference.

Do not touch LED surface. Warranty void if LED contact has taken place.
Only to be installed by a qualified electrician.

Always make sure power is completely switched off when working on luminaire.

Doxis Lighting Factory NV cannot be held responsible for any damage caused by incorrect installation, modification, reparation or incorrect application/usage of the product.