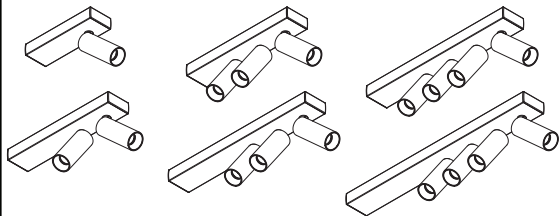


**Tektus 45 Slim / Tektus 60 Slim**  
 1-Way / 2-Way / 3-Way / 4-Way



**Instructions:**

1. Remove magnetic end caps
2. Untighten 2 screws on each end
3. Remove housing from bracket
4. Fix bracket to ceiling using screws  
 amount of available fixation slots may vary depending on the type
5. Connect wiring to terminal block
6. Place housing back over bracket
7. Tighten 2 screw on each end
8. Place magnetic end caps back

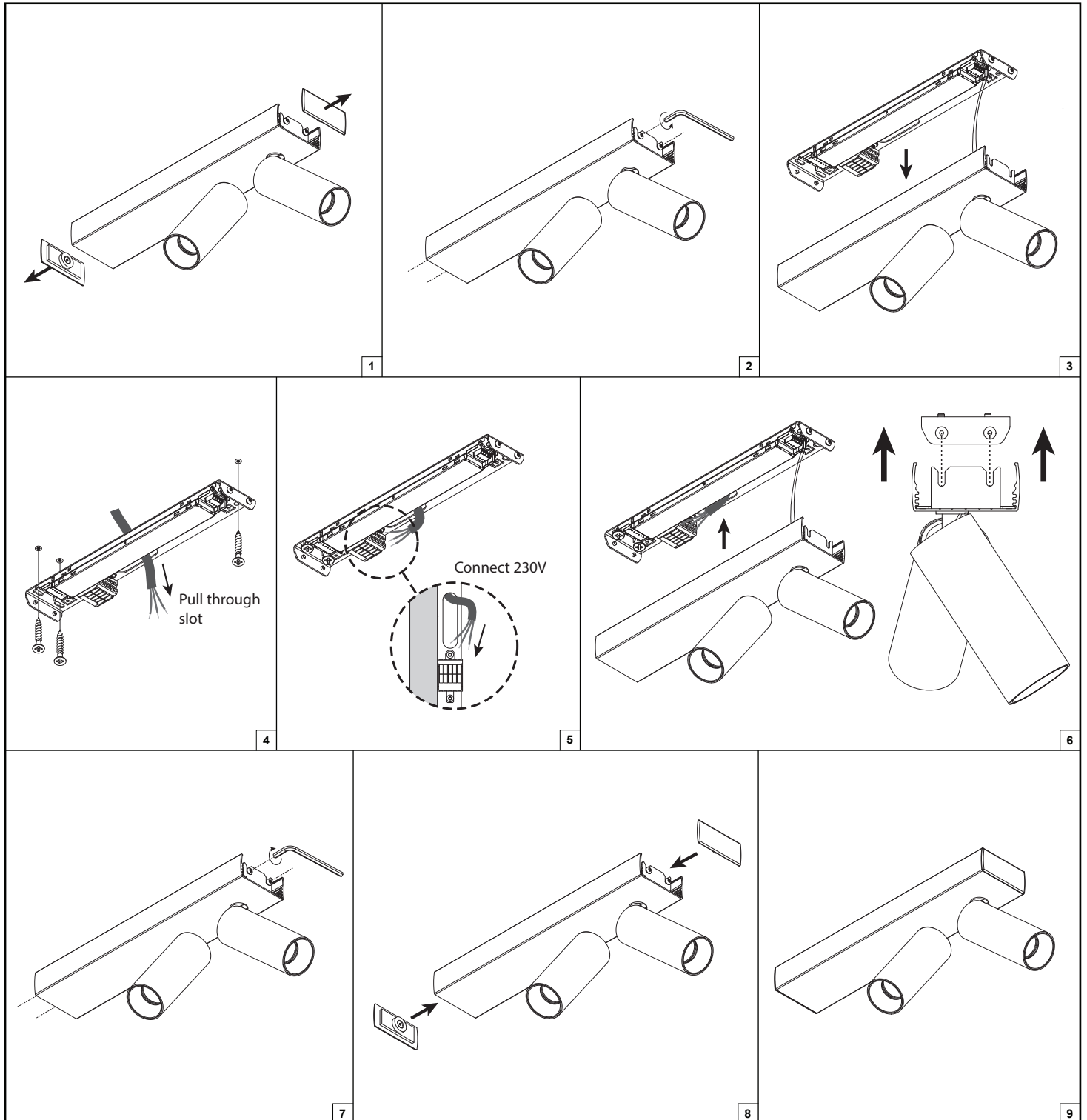
Tektus 45: This product contains a light source of energy efficiency class F  
 Tektus 60: This product contains a light source of energy efficiency class E



**Always use the correct driver.**

**Always install the driver according to the wiring schematics supplied with the driver.**  
**Always check if multi-current drivers are set to the correct output current.**

Doxis Lighting Factory cannot be held responsible for damage caused by using the wrong driver.



**⚠ Attention!!**

Always follow the instructions described in this document and store this document for future reference.

Do not touch LED surface. Warranty void if LED contact has taken place.  
 Only to be installed by a qualified electrician.

Always make sure power is completely switched off when working on luminaire.

**Doxis Lighting Factory NV cannot be held responsible for any damage caused by incorrect installation, modification, reparation or incorrect application/usage of the product.**