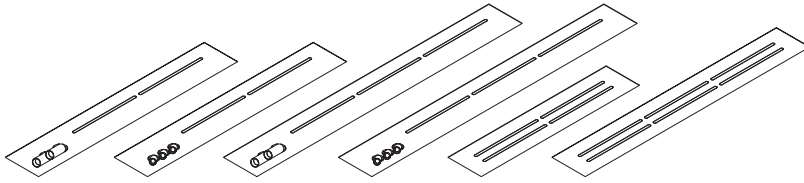


Tektus 45 Linear / Tektus 60 Linear / Tektus Spotless



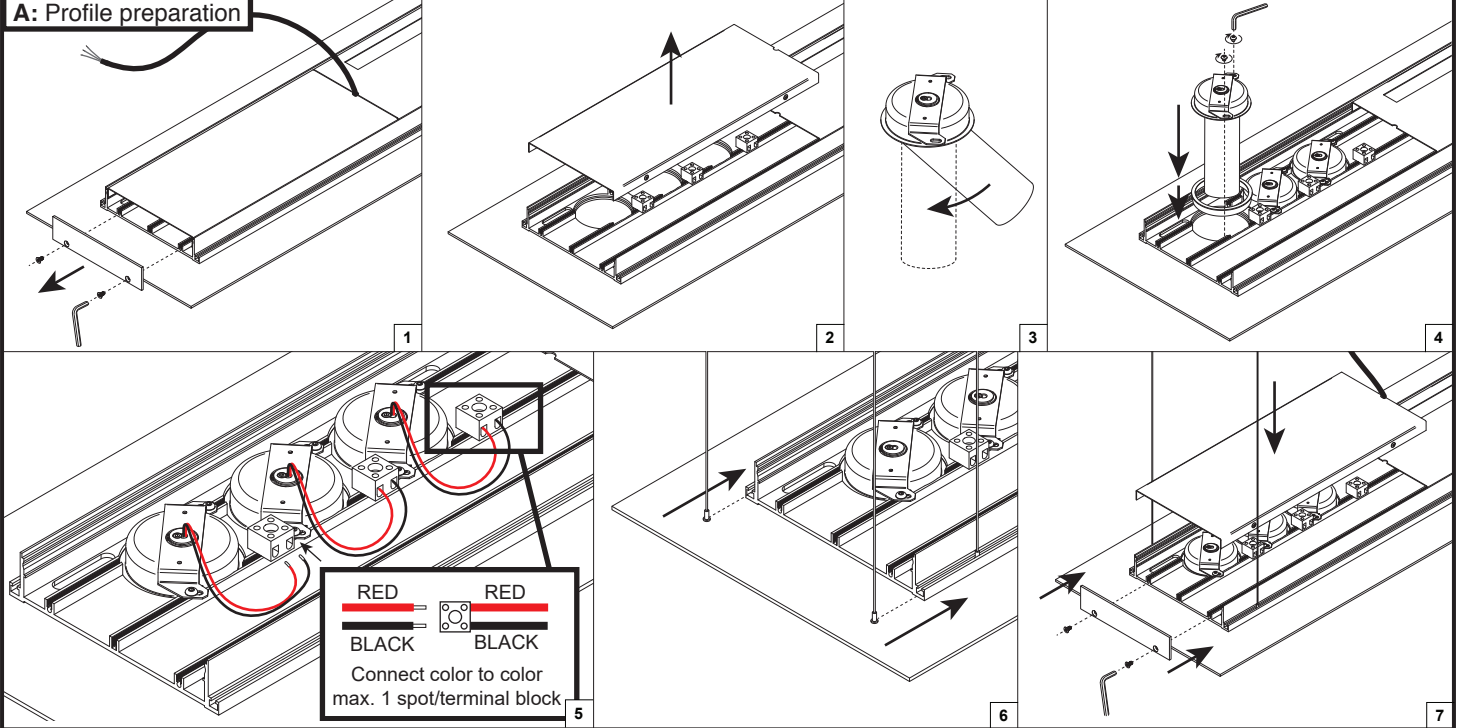
Instructions:

- A1. Remove end cap
 - A2. Remove cover
 - A3. Tilt spot downward
 - A4. Place finishing ring first then place spot in openings, fix with supplied screws
 - A5. Connect spots
 - A6. Slide in suspension wires
 - A7. Place covers and end cap back
- B1. Disassemble ceiling pieces
 - B2. Fasten mounting piece with screws
 - B3. Fasten strain relief
 - B4. Assemble mounting box pieces
 - B5. Place strain relief /connect 230V
 - B6. Assemble mounting box
- C1. Disassemble mounting box
 - C2. Fasten mounting piece with screws
 - C3. Fasten strain relief
 - C4. Assemble mounting box pieces
 - C5. Place strain relief /connect 230V
 - C6. Assemble mounting box

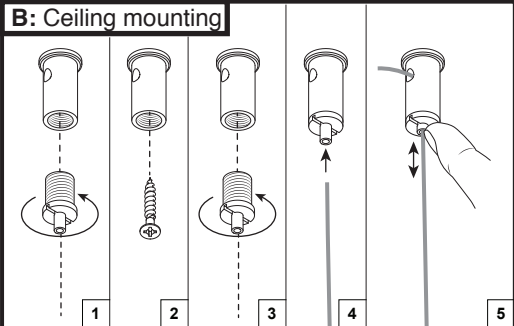
DOXIS
LIGHTING FACTORY

Doxis Lighting Factory cannot be held responsible for damage caused by incorrect installation.

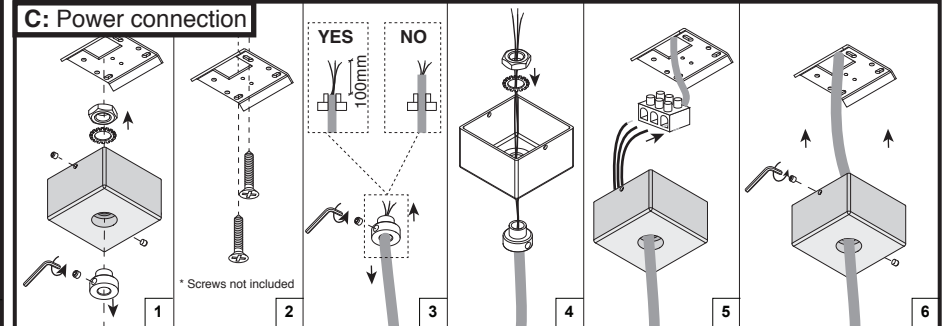
A: Profile preparation



B: Ceiling mounting

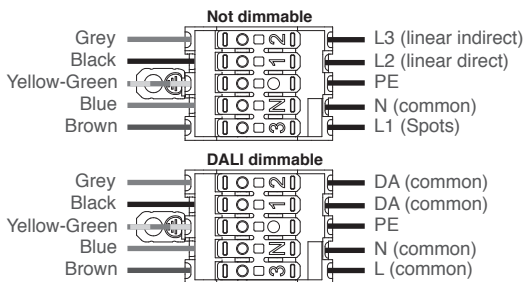


C: Power connection



Electrical connection

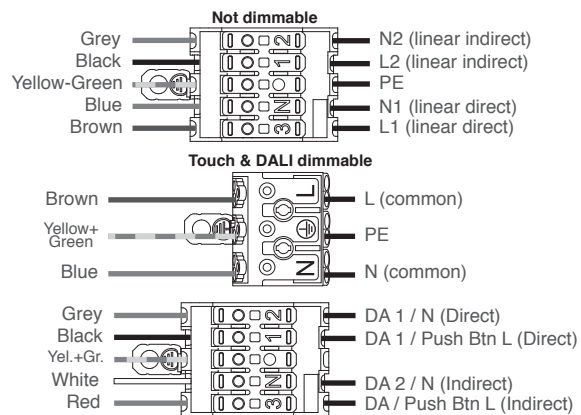
Tektus Linear with spots:



Spots, direct and indirect lighting are on three separate addressable channels.

Touch & DALI dimmable only on request (L, N, PE, Touch L1, Touch L2, Touch L3)

Tektus Linear spotless only:



⚠ Attention!!

Always follow the instructions described in this document and store this document for future reference.

Do not touch LED surface. Warranty void if LED contact has taken place.
Only to be installed by a qualified electrician.

Always make sure power is completely switched off when working on luminaire.

Doxis Lighting Factory NV cannot be held responsible for any damage caused by incorrect installation, modification, reparation or incorrect application/usage of the product.