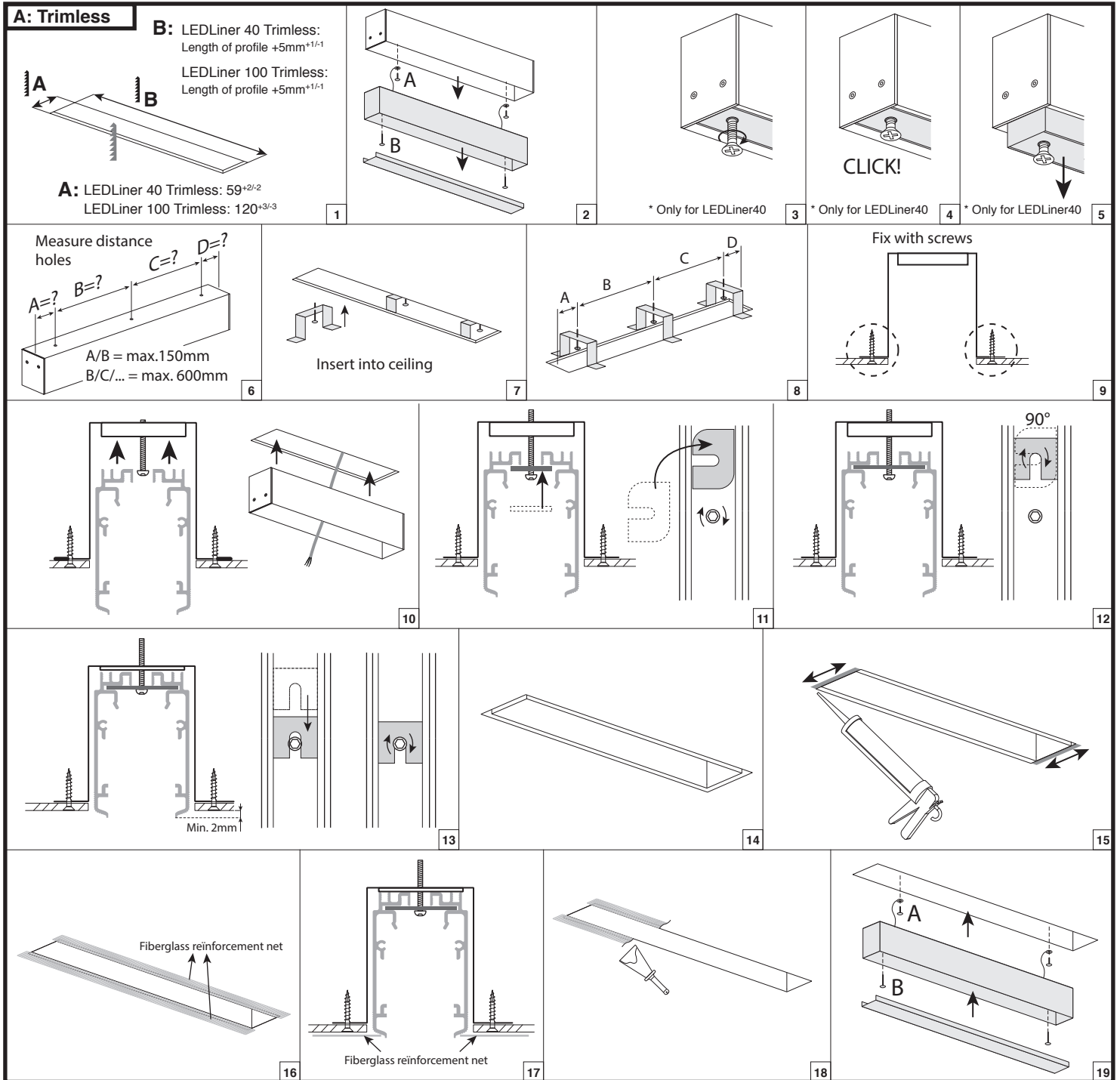
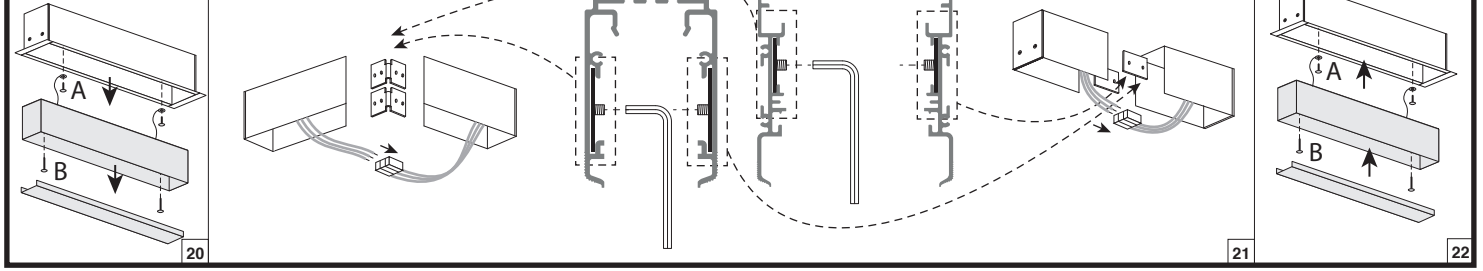


LEDLiner40 Trimless / LEDLiner100 Trimless



Connectors



Trimless mounting

1. Cut out hole according to dimension in illustration
2. Remove Cover and inner profile/Modules.
The inner profile and/or modules can be secured with a security cable (A) or a security screw (B) These can be removed if required)
3. To remove LEDLiner40 inner profile screw provided screw into provided hole
4. When tightening screw at a certain point the inner profile will snap out of the carrier profile
5. The inner profile is now loose
6. Measure hole dimensions on profile. The outer holes must be within 150mm of the ends. Holes in between can be max. 600mm from each other.
7. Insert brackets into ceiling hole.
8. Place brackets so that the bracket screws are exactly on the measured distances of step 6.
9. Fix brackets with screws
10. Place carrier profile in ceiling hole. Screws must go through holes in profile.
Pull power cable through profile.
11. Insert mounting plate into profile.
12. Turn mounting plate 90° so that slot is facing the screw and plate is inside the profile slot.

13. Slide plate over screw.
Tighten screw until the profile edge is min. 2mm sticking out of the ceiling hole
 14. Make sure that there is a small gap around the profile
 15. Use adhesive sealant only on the ends. Wait until dry
 - 16/17. Place Fiberglass reinforced net over edges and screws
 18. Use plaster to finish edges.
 19. Insert inner profile and/or modules back.
Make sure all wiring is reconnected.
Make sure all security cables/screws are placed back.
- Connectors**
20. Remove end cap and inside profile (disconnect wiring if required)
For LEDLiner40 use step 3-5 for removing LEDLiner40
 21. Slide brackets into the provided slots
Fix brackets with set screws
 22. Place end cap and inside profile back.
Reconnect wiring if required

⚠ Attention!!

Be very careful with LEDs when working on product! Do not touch LEDs
Do not let tools come in contact with LEDs
Warranty void if LED contact has taken place

Only to be installed by a qualified electrician
Always make sure power is completely switched off when working on profile

Always make sure suspension cables are placed perpendicular to both the ceiling and the profile itself

When connecting multiple parts of a structure always make sure LED polarity is respected. This means connecting white to white and grey to grey wires