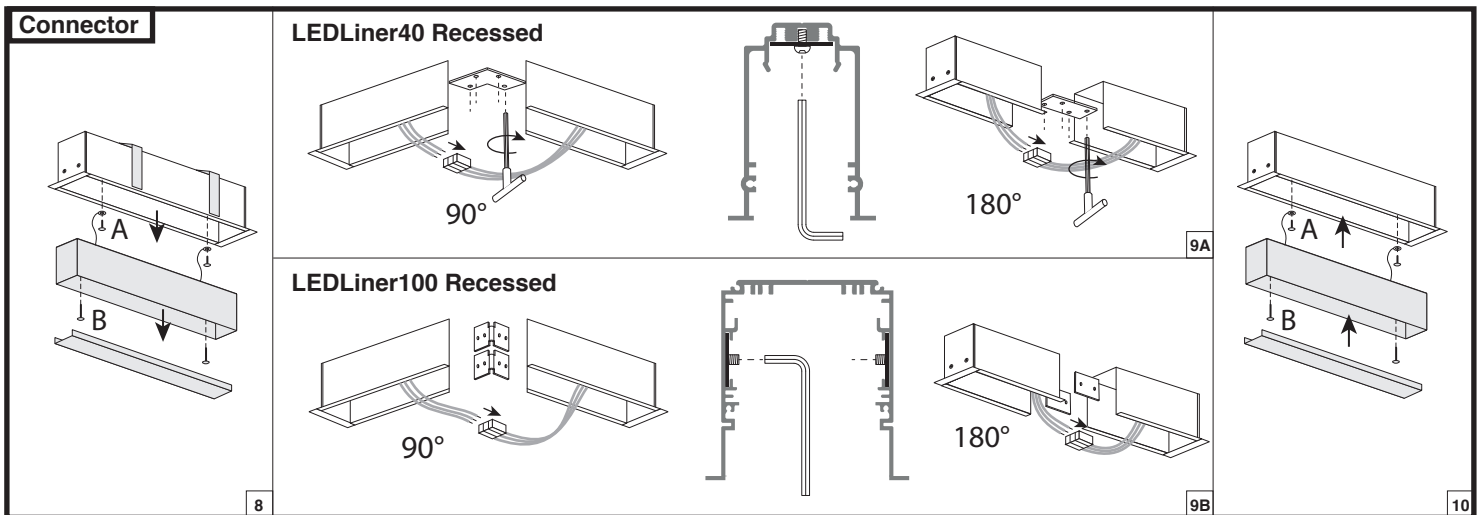
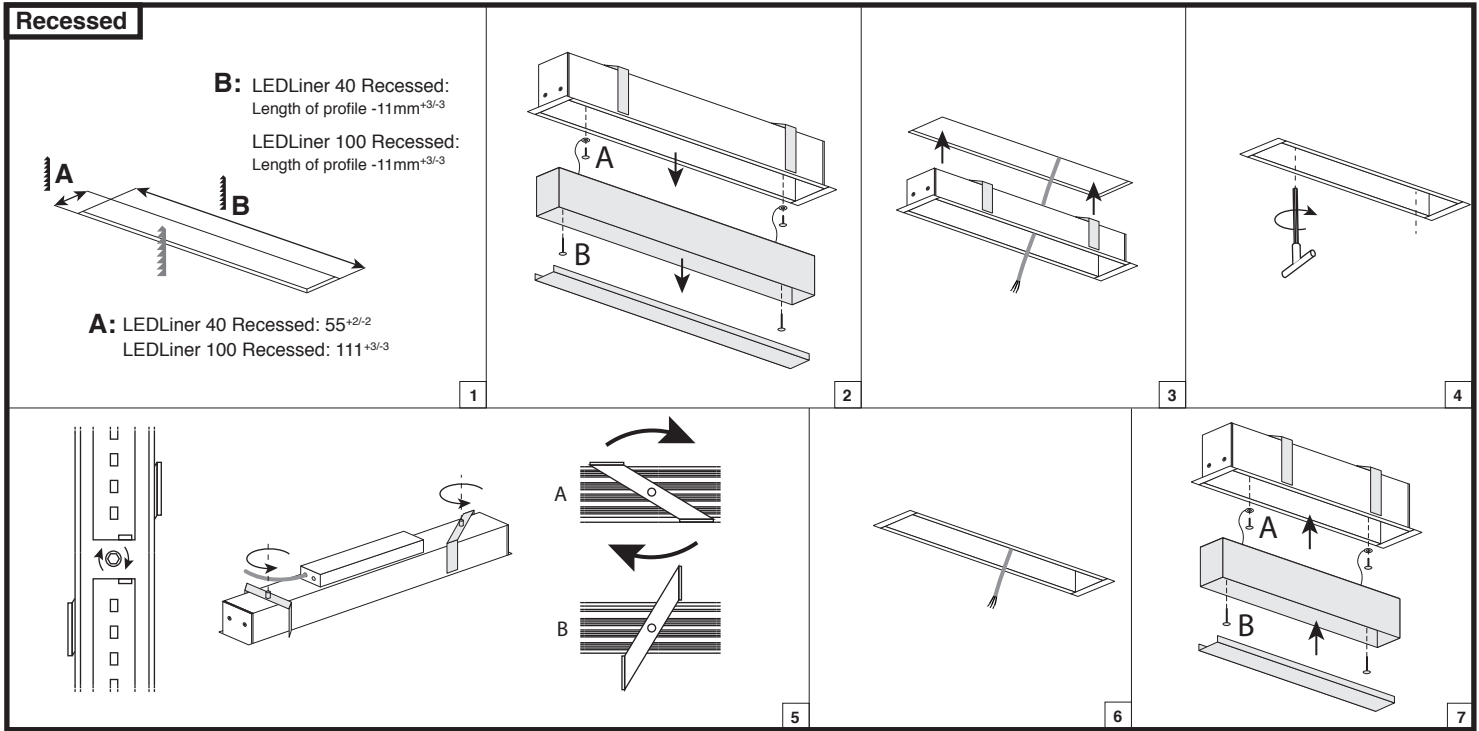


LEDLiner40 Recessed / LEDLiner100 Recessed



Recessed mounting

1. Cut out hole according to dimension in illustration
2. Remove Cover and inner profile/Modules.
The inner profile and/or modules can be secured with a security cable (A) or a security screw (B) These can be removed if required.
For easy removal of inner profile, end cap can be removed.
3. Pull power cable through inner profile
Place profile into ceiling hole.
4. Tighten bracket screws
5. Brackets will turn 90° inside the ceiling and then tighten the profile to the ceiling
6. The profile is now fixed
7. Insert inner profile and/or modules back.
Make sure all wiring is reconnected.
Make sure all security cables/screws are placed back.

Connectors LEDLiner40

8. Remove inside profile and cover (disconnect wiring if required)
9. Place bracket inside profile and fix using provided screws
10. Place inside profile and cover back.
Reconnect wiring if required

Connectors LEDLiner100

8. Remove inside profile and cover (disconnect wiring if required)
9. Slide brackets into the provided slots
Fix brackets with set screws
10. Place inside profile and cover back.
Reconnect wiring if required

⚠ Attention!!

Be very careful with LEDs when working on product! Do not touch LEDs
Do not let tools come in contact with LEDs
Warranty void if LED contact has taken place

Only to be installed by a qualified electrician
Always make sure power is completely switched off when working on profile

Always make sure suspension cables are placed perpendicular to both the ceiling and the profile itself

When connecting multiple parts of a structure always make sure LED polarity is respected. This means connecting white to white and grey to grey wires