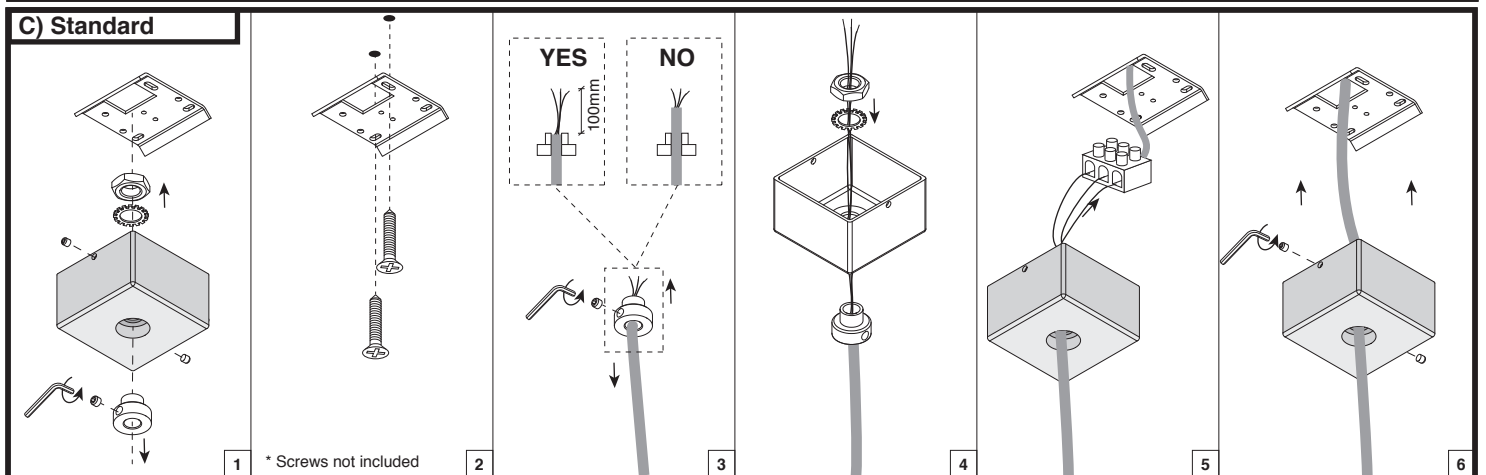
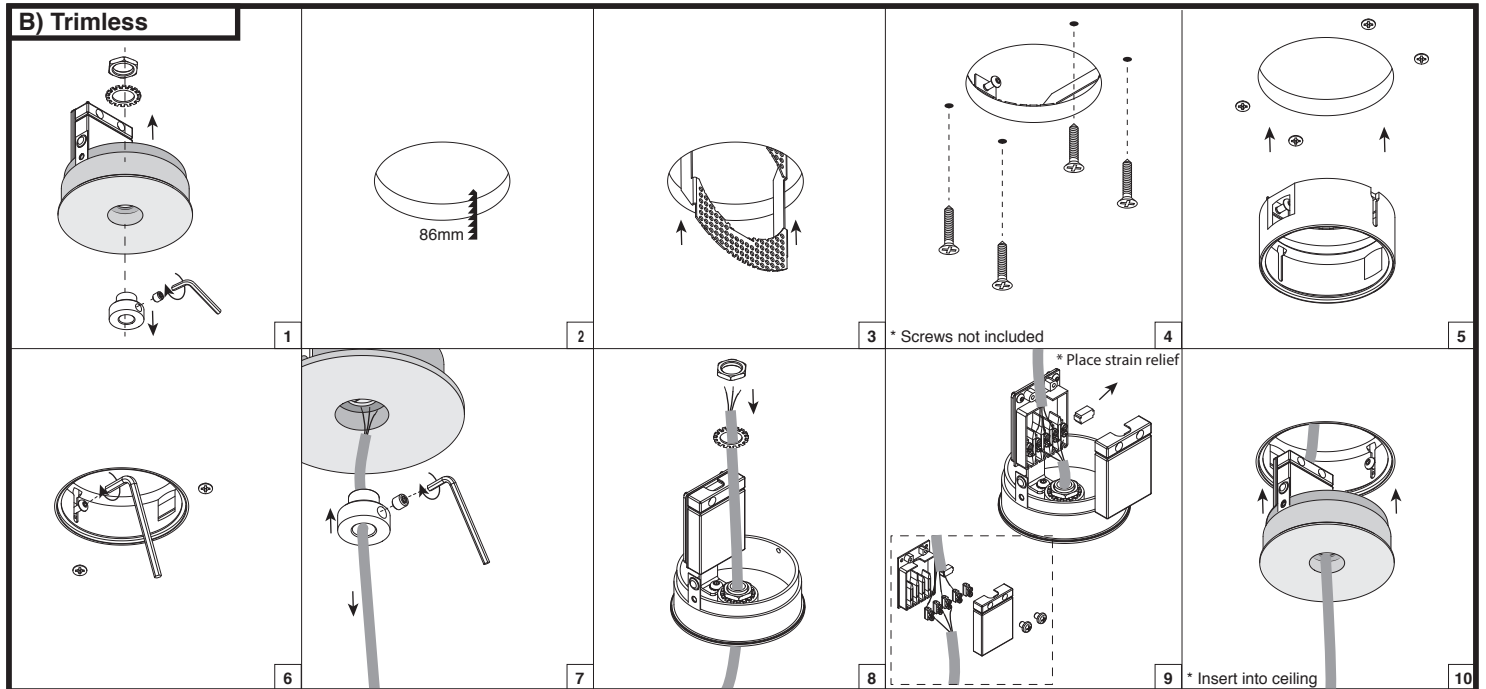
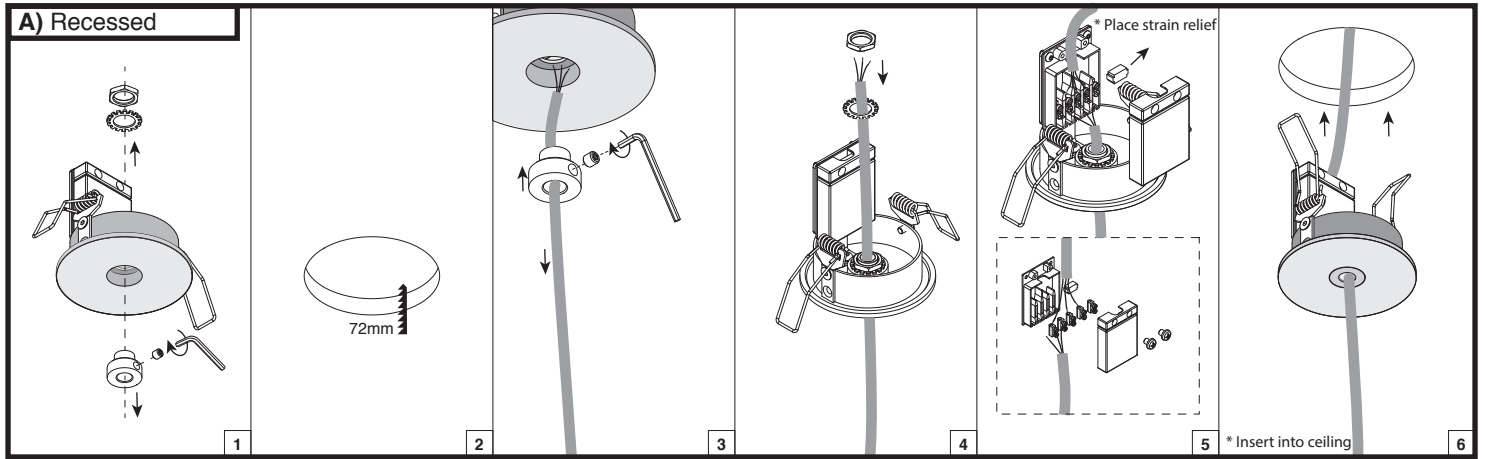


Ceiling connecting boxes



Not dimmable:

N ⊕ ⊖ blue
 ⊕ ⊖ yellow-green
 L ⊕ ⊖ brown

Dimmable 1-10V:

N ⊕ ⊖ blue
 ⊕ ⊖ yellow-green
 L ⊕ ⊖ brown
 DIM 1-10v + ⊕ ⊖ black
 DIM 1-10v - ⊕ ⊖ grey

DALI / Touch dimmable:

N ⊕ ⊖ blue
 ⊕ ⊖ yellow-green
 L ⊕ ⊖ brown
 DALI / Touch ⊕ ⊖ black
 DALI / N ⊕ ⊖ grey



Only to be installed by a qualified electrician
 Always make sure power is completely
 switched off when working

A) Recessed

1. Disassemble mounting box
2. Drill a hole in the ceiling
3. Fasten strain relief
4. Assemble mounting box
5. Place strain relief / connect 230V
6. Insert mounting box in ceiling

B) Trimless

1. Disassemble mounting box
2. Drill a hole in the ceiling
3. Insert gyp kit into ceiling
4. Fasten gyp kit with screws
5. Insert mounting piece into ceiling
6. Fasten mounting piece / plaster
7. Fasten strain relief
8. Assemble mounting box
9. Place strain relief / connect 230V
10. Insert mounting box into ceiling

B) Standard

1. Disassemble mounting box
2. Fasten mounting piece with screws
3. Fasten strain relief
4. Assemble mounting box pieces
5. Place strain relief / connect 230V
6. Assemble mounting box