

Tektus Spot Module

For mounting on LEDliner profiles

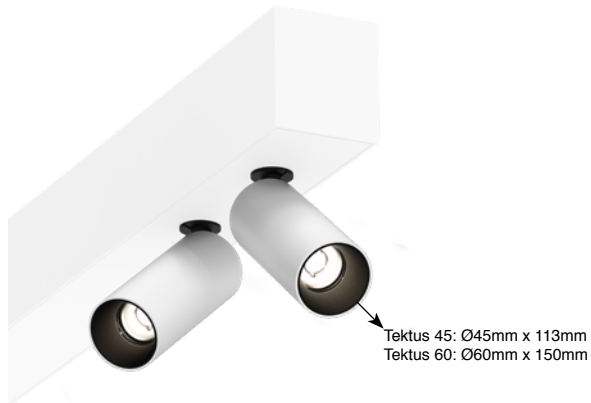
Type Spot-/Downlight
 Mounting Mounting in LEDliner Profiles
 Material Aluminium
 Adjustable Yes (60°/359°)
 El. class / IP Class I / IP20
 Warranty: see p.348

Bridgelux Vero 10 LED (350mA)

CCT 2700K / 3000K / 4000K
 CRI Ra90 (Ra80 on request)
 SDCM 3
 Luminous Flux LED
 2700K - Ra90: 1100lm (124lm/W)
 3000K - Ra90: 1156lm (130lm/W)
 4000K - Ra90: 1072lm (132lm/W)
 Luminous Flux System
 2700K - Ra90: 772lm (76lm/W)
 3000K - Ra90: 811lm (80lm/W)
 4000K - Ra90: 822lm (81lm/W)
 Beam angle 29° / 40° / 51°
 LED Power 8.9W (excl. driver)
 System Power 10.2W (incl. driver)

Citizen CLU LED (350mA/500mA)

CCT 2700K / 3000K / 4000K
 CRI Ra90
 SDCM 3
 Luminous flux LED (350/500mA)
 2700K - Ra90: 1517lm (350mA) / 2118lm (500mA)
 3000K - Ra90: 1577lm (350mA) / 2202lm (500mA)
 4000K - Ra90: 1601lm (350mA) / 2236lm (500mA)
 Luminous Flux System
 2700K - Ra90: 995lm (350mA) / 1390lm (500mA)
 3000K - Ra90: 1035lm (350mA) / 1445lm (500mA)
 4000K - Ra90: 1050lm (350mA) / 1467lm (500mA)
 Beam angle 23° / 36° / 48° / 57° / Zoom (25° - 46°)
 LED Power 11.3W / 350mA or 16.5W / 500mA (excl. driver)
 System Power 12.9W / 350mA or 19.0W / 500mA (incl. driver)



On Request

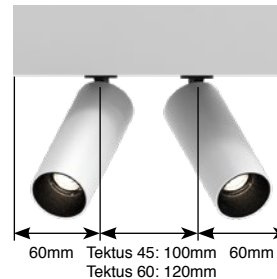
Tektus 45 Single with CRI Ra97
 Tektus 45 Double with Class A LED
 Tektus 45 Single with CRI Ra97
 Tektus 45 Double with Class A LED
 (Only available for Tektus45)

Suitable profiles:
 LEDliner35
 LEDliner65

Module length Tektus Single:



Module length Tektus Double:





Tektus 45 Single

PRICES INCL. DRIVER

Module only, LEDliner profile not included

Non dim Single - 1x Tektus 45 on one driver

(1x) 2700K - Ra90 - 10.2W - 772lm 1248.AA.24.927.XX

(1x) 3000K - Ra90 - 10.2W - 811lm 1248.AA.24.930.XX

(1x) 4000K - Ra90 - 10.2W - 822lm 1248.AA.24.940.XX

Touch & DALI dim Single - 1x Tektus 45 on one driver

(1x) 2700K - Ra90 - 10.2W - 772lm 1248.AA.26.927.XX

(1x) 3000K - Ra90 - 10.2W - 811lm 1248.AA.26.930.XX

(1x) 4000K - Ra90 - 10.2W - 822lm 1248.AA.26.940.XX

Tektus 45 Double

PRICES INCL. DRIVER

Module only, LEDliner profile not included

Non dim Double - 2x Tektus 45 on one driver

(2x) 2700K - Ra90 - 10.2W - 772lm 1300.AA.24.927.XX

(2x) 3000K - Ra90 - 10.2W - 811lm 1300.AA.24.930.XX

(2x) 4000K - Ra90 - 10.2W - 822lm 1300.AA.24.940.XX

Touch & DALI dim Double - 2x Tektus 45 on one driver

(2x) 2700K - Ra90 - 10.2W - 772lm 1300.AA.26.927.XX

(2x) 3000K - Ra90 - 10.2W - 811lm 1300.AA.26.930.XX

(2x) 4000K - Ra90 - 10.2W - 822lm 1300.AA.26.940.XX

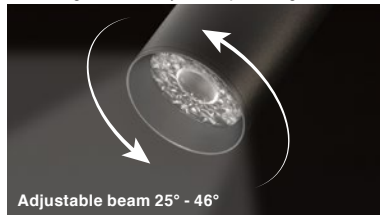
29° Lens: 0000.29.00.000.00

40° Lens: 0000.40.00.000.00

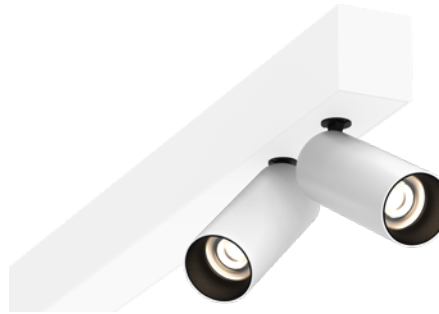
51° Lens: 0000.51.00.000.00

Optional zoom lens (Tektus 60 only):

Beam angle can be adjusted by rotating the frontring



Adjustable beam 25° - 46°



Tektus 60 Single (350mA)

PRICES INCL. DRIVERS

Module only, LEDliner profile not included

Non dim Single - 1x Tektus 60 on one 350mA driver

(1x) 2700K - Ra90 - 12.9W - 995lm 1249.AA.24.927.XX

(1x) 3000K - Ra90 - 12.9W - 1035lm 1249.AA.24.930.XX

(1x) 4000K - Ra90 - 12.9W - 1050lm 1249.AA.24.940.XX

Touch & DALI dim Single - 1x Tektus 60 on one 350mA driver

(1x) 2700K - Ra90 - 12.9W - 995lm 1249.AA.26.927.XX

(1x) 3000K - Ra90 - 12.9W - 1035lm 1249.AA.26.930.XX

(1x) 4000K - Ra90 - 12.9W - 1050lm 1249.AA.26.940.XX

Tektus 60 Double (350mA)

PRICES INCL. DRIVER

Module only, LEDliner profile not included

Non dim Double - 2x Tektus 60 on one 350mA driver

(2x) 2700K - Ra90 - 12.9W - 995lm 1301.AA.24.927.XX

(2x) 3000K - Ra90 - 12.9W - 1035lm 1301.AA.24.930.XX

(2x) 4000K - Ra90 - 12.9W - 1050lm 1301.AA.24.940.XX

Touch & DALI dim Double - 2x Tektus 60 on one 350mA driver

(2x) 2700K - Ra90 - 12.9W - 995lm 1301.AA.26.927.XX

(2x) 3000K - Ra90 - 12.9W - 1035lm 1301.AA.26.930.XX

(2x) 4000K - Ra90 - 12.9W - 1050lm 1301.AA.26.940.XX

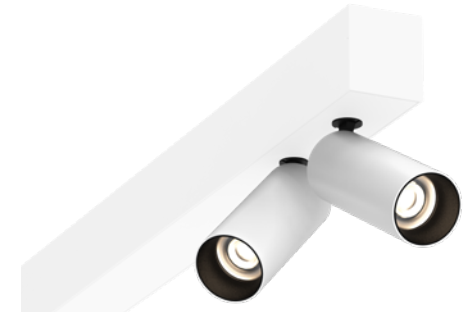
Zoom Lens: 0000.ZM.00.000.00

23° Lens: 0000.23.00.000.00

36° Lens: 0000.36.00.000.00

48° Lens: 0000.48.00.000.00

57° Lens: 0000.57.00.000.00



Tektus 60 Single (500mA)

PRICES INCL. DRIVERS

Module only, LEDliner profile not included

Non dim Single - 1x Tektus 60 on one 500mA driver

(1x) 2700K - Ra90 - 19.0W - 1390lm 1250.AA.24.927.XX

(1x) 3000K - Ra90 - 19.0W - 1445lm 1250.AA.24.930.XX

(1x) 4000K - Ra90 - 19.0W - 1467lm 1250.AA.24.940.XX

Touch & DALI dim Single - 1x Tektus 60 on one 500mA driver

(1x) 2700K - Ra90 - 19.0W - 1390lm 1250.AA.26.927.XX

(1x) 3000K - Ra90 - 19.0W - 1445lm 1250.AA.26.930.XX

(1x) 4000K - Ra90 - 19.0W - 1467lm 1250.AA.26.940.XX

Tektus 60 Double (500mA)

PRICES INCL. DRIVER

Module only, LEDliner profile not included

Non dim Double - 2x Tektus 60 on one 500mA driver

(2x) 2700K - Ra90 - 19.0W - 1390lm 1302.AA.24.927.XX

(2x) 3000K - Ra90 - 19.0W - 1445lm 1302.AA.24.930.XX

(2x) 4000K - Ra90 - 19.0W - 1467lm 1302.AA.24.940.XX

Touch & DALI dim Double - 2x Tektus 60 on one 500mA driver

(2x) 2700K - Ra90 - 19.0W - 1390lm 1302.AA.26.927.XX

(2x) 3000K - Ra90 - 19.0W - 1445lm 1302.AA.26.930.XX

(2x) 4000K - Ra90 - 19.0W - 1467lm 1302.AA.26.940.XX

Zoom Lens: 0000.ZM.00.000.00

23° Lens: 0000.23.00.000.00

36° Lens: 0000.36.00.000.00

48° Lens: 0000.48.00.000.00

57° Lens: 0000.57.00.000.00

Available colors: 0000.00.00.000.XX

Other RAL colors on request

01



White Matt Text.
Standard

18



Grey Matt Text.
Standard

07



Anthracite Matt Text.
Standard

03



Black Matt Text.
Standard

16



Gold Matt