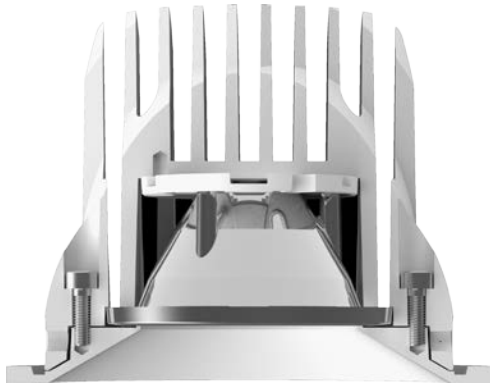
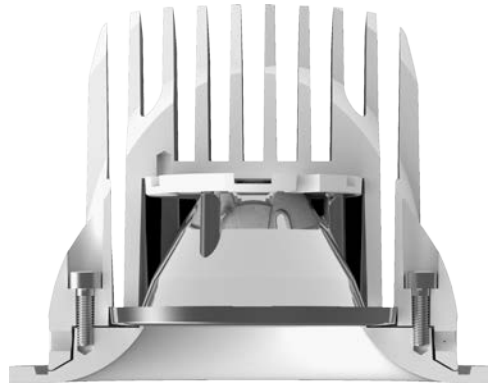


Titan Variants

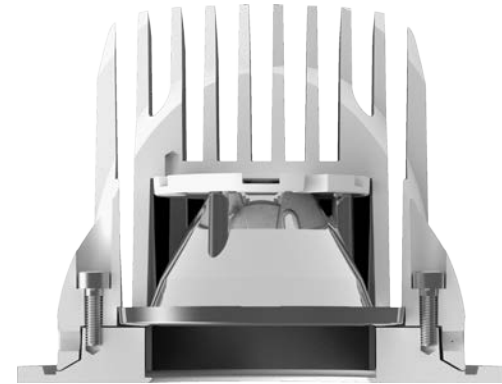
Cone ◀ ▶



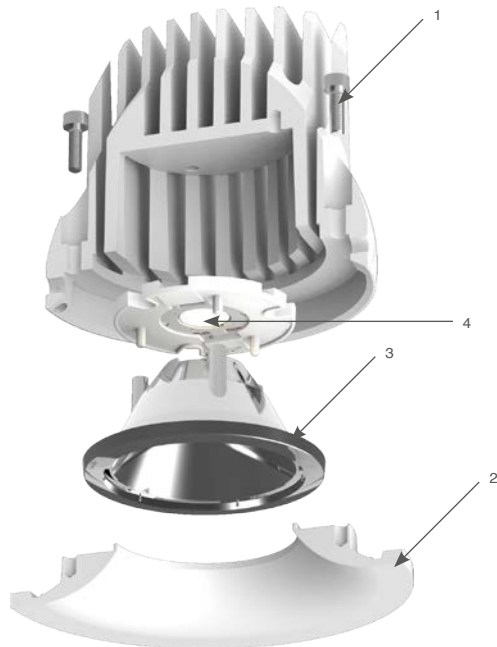
Organic ◀ ▶



Anti-glare ■ ■



How to replace LED lightsource Titan



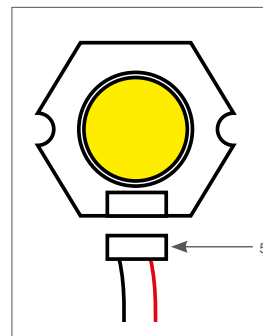
When unscrewing both screws (1) (DIN 912 M3x12), the frontplate (2) comes apart. This frontplate keeps the reflector (3) and the LED array (4) in place. Be very careful when unplugging the LED array (4) from the electrical connector (5)

When replacing the LED the LED holder and luminaire must be cleaned so that there is no 'old' thermal grease residu left on any of the components.

When placing a new LED array, new thermal grease must be applied to the bottom of the LED array. The right amount of thermal grease must be applied, not enough or too much grease will result in bad thermal conductivity (this means reduced LED life).

Avoid contact with the LES (light emitting surface) and make sure the LES is free from contaminants.

LED only to be replaced by a qualified electrician!!



FRAGILE!!

Be careful when unplugging the connector from the LED module. This is a very fragile component.